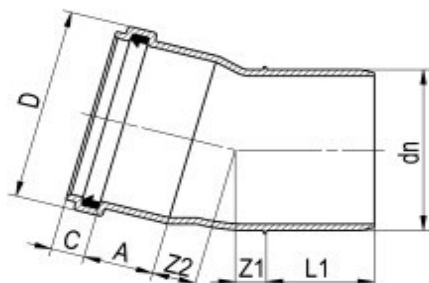


Coudes HDPE, fiche technique

Coudes en PE-dur, avec emboîtement et joint

Conformes aux normes : EN 12666 - R 592012 - Qplus 11004 - SKZ-Ü



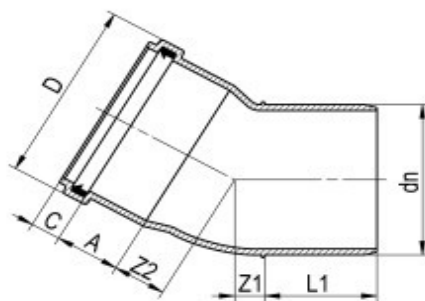
¹ S12,5

* Pièce façonnée

SN2 / SDR33 / S16 - SN4 / S12.5 / SDR26 Couleur noir

15°

| dn mm | D mm | C mm | A mm | L1 mm | Z1 mm | Z2 mm | Poids kg | Carton P. | Palette P. | Article N° |
|------------------|---------|---------|---------|----------|----------|----------|-------------|--------------|---------------|---------------|
| ¹ 110 | 138.4 | 24.7 | 83.9 | 117.5 | 12.0 | 30.0 | 0.570 | 37 | 148 | S16PECC11015 |
| ¹ 125 | 153.8 | 24.7 | 85.0 | 121.0 | 13.0 | 34.0 | 0.820 | 30 | 120 | S16PECC12515 |
| ¹ 160 | 199.4 | 31.0 | 89.0 | 134.0 | 16.0 | 43.0 | 1.400 | 12 | 48 | S16PECC16015 |
| 200 | 231.9 | 36.7 | 93.0 | 143.0 | 19.0 | 47.0 | 1.970 | 8 | 32 | S16PECC20015 |
| *250 | 293.0 | 56.0 | 97.0 | 200.0 | 75.0 | 231.0 | 5.830 | | | S16PEC25015 |
| *315 | 363.6 | 63.0 | 104.0 | 200.0 | 130.0 | 251.0 | 8.880 | | | S16PEC31515 |
| *355 | 406.0 | 59.0 | 221.0 | 280.0 | 35.0 | 169.0 | 10.120 | | | S16PEC35515 |
| *400 | 433.9 | 71.0 | 118.0 | 280.0 | 40.0 | 250.0 | 12.430 | | | S16PEC40015 |



¹ S12,5

* Pièce façonnée

SN2 / SDR33 / S16 - SN4 / S12.5 / SDR26 Couleur noir

30°

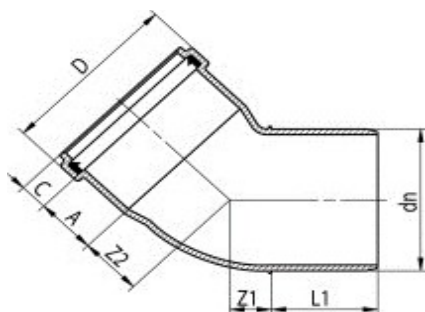
| dn mm | D mm | C mm | A mm | L1 mm | Z1 mm | Z2 mm | Poids kg | Carton P. | Palette P. | Article N° |
|------------------|---------|---------|---------|----------|----------|----------|-------------|--------------|---------------|---------------|
| ¹ 110 | 138.4 | 24.7 | 83.9 | 117.5 | 19.0 | 38.4 | 0.530 | 40 | 160 | S16PECC11030 |
| ¹ 125 | 153.8 | 24.7 | 85.0 | 121.0 | 21.0 | 44.7 | 0.737 | 30 | 120 | S16PECC12530 |
| ¹ 160 | 199.4 | 31.0 | 89.0 | 134.0 | 30.8 | 53.2 | 1.535 | 12 | 48 | S16PECC16030 |
| 200 | 231.9 | 36.7 | 93.0 | 143.0 | 41.0 | 61.3 | 2.242 | 8 | 32 | S16PECC20030 |
| *250 | 293.0 | 56.0 | 97.0 | 200.0 | 125.0 | 230.0 | 6.250 | | | S16PEC25030 |
| *315 | 363.6 | 63.0 | 104.0 | 200.0 | 235.0 | 250.0 | 9.540 | | | S16PEC31530 |
| *355 | 406.0 | 59.0 | 221.0 | 280.0 | 150.0 | 170.0 | 10.950 | | | S16PEC35530 |
| *400 | 433.9 | 71.0 | 118.0 | 280.0 | 160.0 | 250.0 | 13.490 | | | S16PEC40030 |

Valeurs indicatives, informatives et non contractuelles.

Coudes HDPE, fiche technique

Coudes en polypropylène à haut module d'élasticité, avec emboîtement et joint

Conformes aux normes : EN 12666 - R 592012 - Qplus 11004 - SKZ-Ü



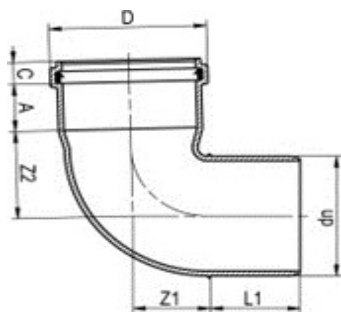
¹ S12,5

* Pièce façonnée

SN2 / SDR33 / S16 - SN4 / S12.5 / SDR26 Couleur noir

45°

| dn mm | D mm | C mm | A mm | L1 mm | Z1 mm | Z2 mm | Poids kg | Carton P. | Palette P. | Article N° |
|------------------|---------|---------|---------|----------|----------|----------|-------------|--------------|---------------|---------------|
| ¹ 110 | 138.4 | 24.7 | 83.9 | 117.5 | 27.0 | 47.7 | 0.564 | 36 | 144 | S16PECC11045 |
| ¹ 125 | 153.8 | 24.7 | 85.0 | 121.0 | 34.0 | 55.3 | 0.768 | 28 | 112 | S16PECC12545 |
| ¹ 160 | 199.4 | 31.0 | 89.0 | 134.0 | 44.3 | 66.7 | 1.370 | 12 | 48 | S16PECC16045 |
| 200 | 231.9 | 36.7 | 93.0 | 143.0 | 57.6 | 77.7 | 2.303 | 6 | 24 | S16PECC20045 |
| *250 | 293.0 | 56.0 | 97.0 | 200.0 | 170.0 | 327.0 | 7.110 | | | S16PEC25045 |
| *315 | 363.6 | 63.0 | 104.0 | 200.0 | 235.0 | 254.0 | 11.250 | | | S16PEC31545 |
| *355 | 406.0 | 59.0 | 221.0 | 280.0 | 150.0 | 286.0 | 12.220 | | | S16PEC35545 |
| *400 | 433.9 | 71.0 | 118.0 | 280.0 | 160.0 | 463.0 | 15.250 | | | S16PEC40045 |



¹ S12,5

* Pièce façonnée

SN2 / SDR33 / S16 - SN4 / S12.5 / SDR26 Couleur noir

90°

| dn mm | D mm | C mm | A mm | L1 mm | Z1 mm | Z2 mm | Poids kg | Carton P. | Palette P. | Article N° |
|------------------|---------|---------|---------|----------|----------|----------|-------------|--------------|---------------|---------------|
| ¹ 110 | 138.4 | 24.7 | 83.9 | 117.5 | 64.5 | 83.4 | 0.630 | 25 | 100 | S16PECC11090 |
| ¹ 125 | 153.8 | 24.7 | 85.0 | 121.0 | 73.0 | 95.8 | 0.862 | 20 | 80 | S16PECC12590 |
| ¹ 160 | 199.4 | 31.0 | 89.0 | 134.0 | 96.0 | 118.5 | 1.900 | 12 | 48 | S16PECC16090 |
| 200 | 231.9 | 36.7 | 93.0 | 143.0 | 120.5 | 140.7 | 2.663 | 6 | 24 | S16PECC20090 |
| *250 | 293.0 | 56.0 | 97.0 | 200.0 | 400.0 | 553.0 | 7.450 | | | S16PEC25090 |
| *315 | 363.6 | 63.0 | 104.0 | 200.0 | 484.0 | 595.0 | 12.480 | | | S16PEC31590 |
| *355 | 406.0 | 59.0 | 221.0 | 280.0 | 435.0 | 574.0 | 15.850 | | | S16PEC35590 |
| *400 | 433.9 | 71.0 | 118.0 | 280.0 | 455.0 | 662.0 | 19.900 | | | S16PEC40090 |

Valeurs indicatives, informatives et non contractuelles.